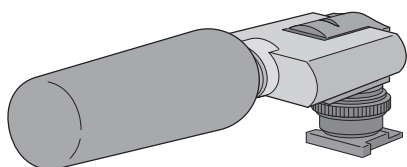


JVC

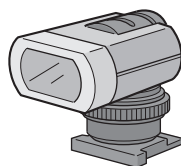
SERVICE MANUAL

STEREO ZOOM MICROPHONE/VIDEO LIGHT/VIDEO FLASH

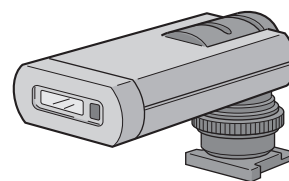
MZ-V3U/MZ-V3U-E VL-V3U/VL-V3U-E VL-F3U/VL-F3U-E



MZ-V3U/MZ-V3U-E



VL-V3U/VL-V3U-E



VL-F3U/VL-F3U-E

SPECIFICATIONS

MZ-V3U/MZ-V3U-E

Type : Electret capacitor type microphone
Directivity : Unidirectional/MS stereo/Continuously variable
Current drain : 75 mW
Dimensions : 35 mm (W) x 50 mm (H) x 137 (D) mm
Weight : 42 g

* Design and specifications are subject to change without notice.

VL-V3U/VL-V3U-E

Dimensions : 42 mm (W) x 51 mm (H) x 46 mm (D)
Weight : 34 g
Power consumption : 3 W

• Design and specifications are subject to change without notice.

VL-F3U/VL-F3U-E

Dimensions : 38 mm (W) x 43 mm (H) x 69 mm (D)
Weight : 45 g
Flash reach distance (With the GR-DV2000) :
XGA, VGA : Approx. 5 m
UXGA : Approx. 2 m

• Design and specifications are subject to change without notice.

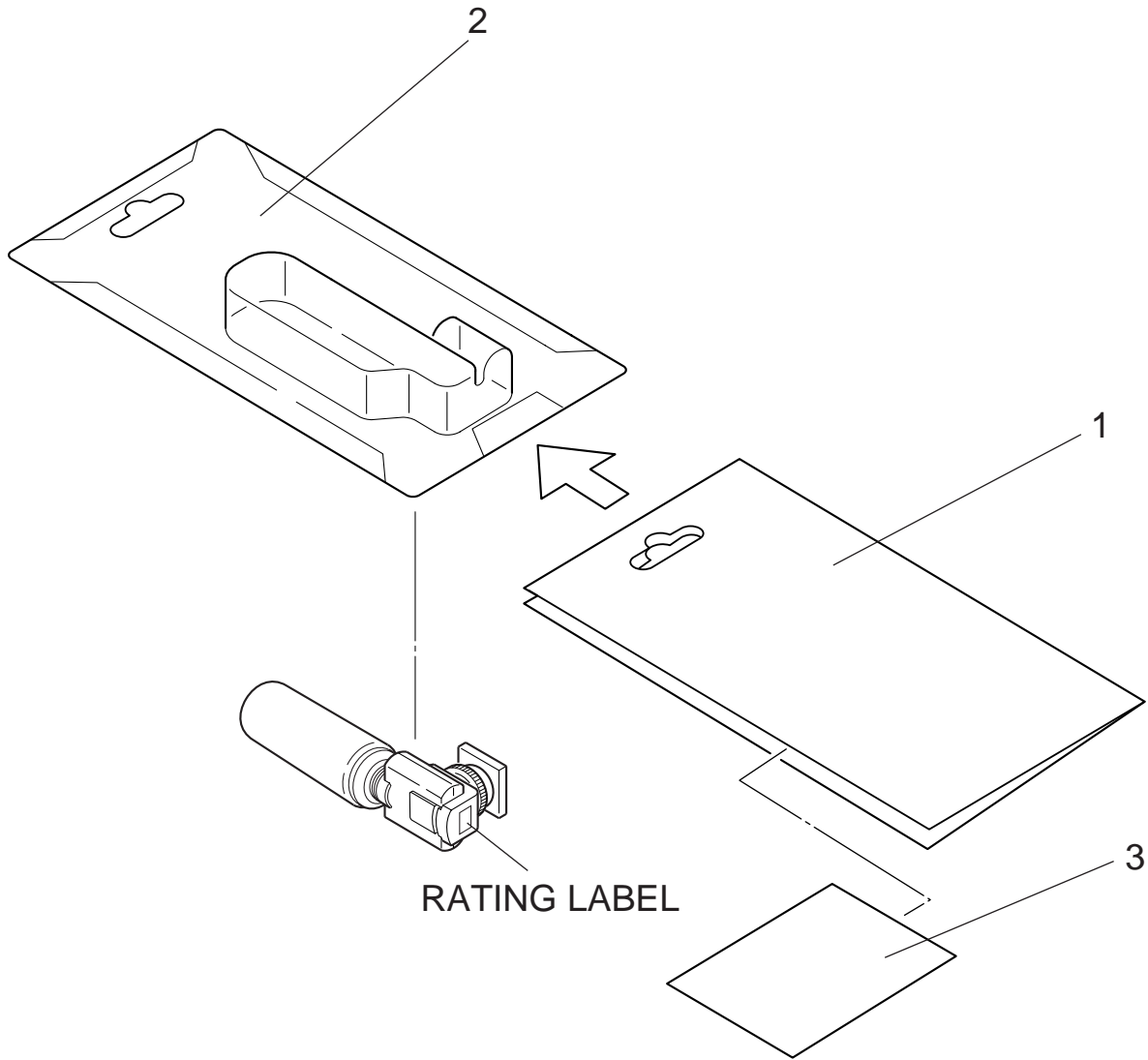
SAFETY PRECAUTION

Parts identified by the \triangle symbol are critical for safety. Replace only with specified part numbers.

1. PACKING AND ACCESSORY ASSEMBLY <M1>

The instruction manual to be provided with this product will differ according to the destination.

[MZ-V3U/MZ-V3U-E]



\triangle REF No. PART No. PART NAME, DESCRIPTION

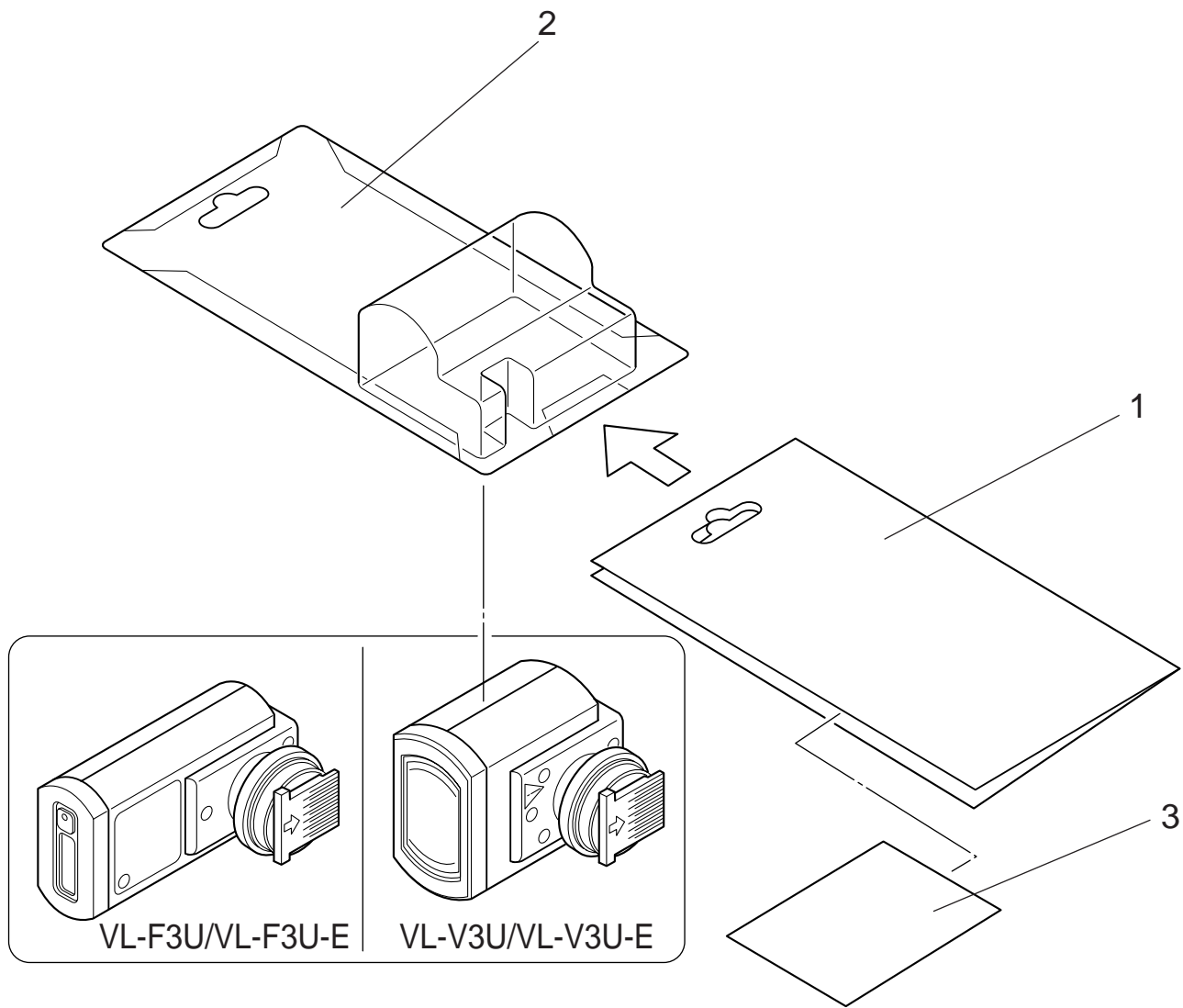
PACKING ASSEMBLY <M1>

1 — SHEET
 2 — BLISTER CASE

\triangle REF No. PART No. PART NAME, DESCRIPTION

\triangle 3 — INST. BOOK(EN), MZ-V3U
 \triangle — INST. BOOK(EN, FR, GE), MZ-V3U-E

VL-V3U/VL-V3U-E
VL-F3U/VL-F3U-E



Δ REF No. PART No. PART NAME, DESCRIPTION

PACKING ASSEMBLY <M1>

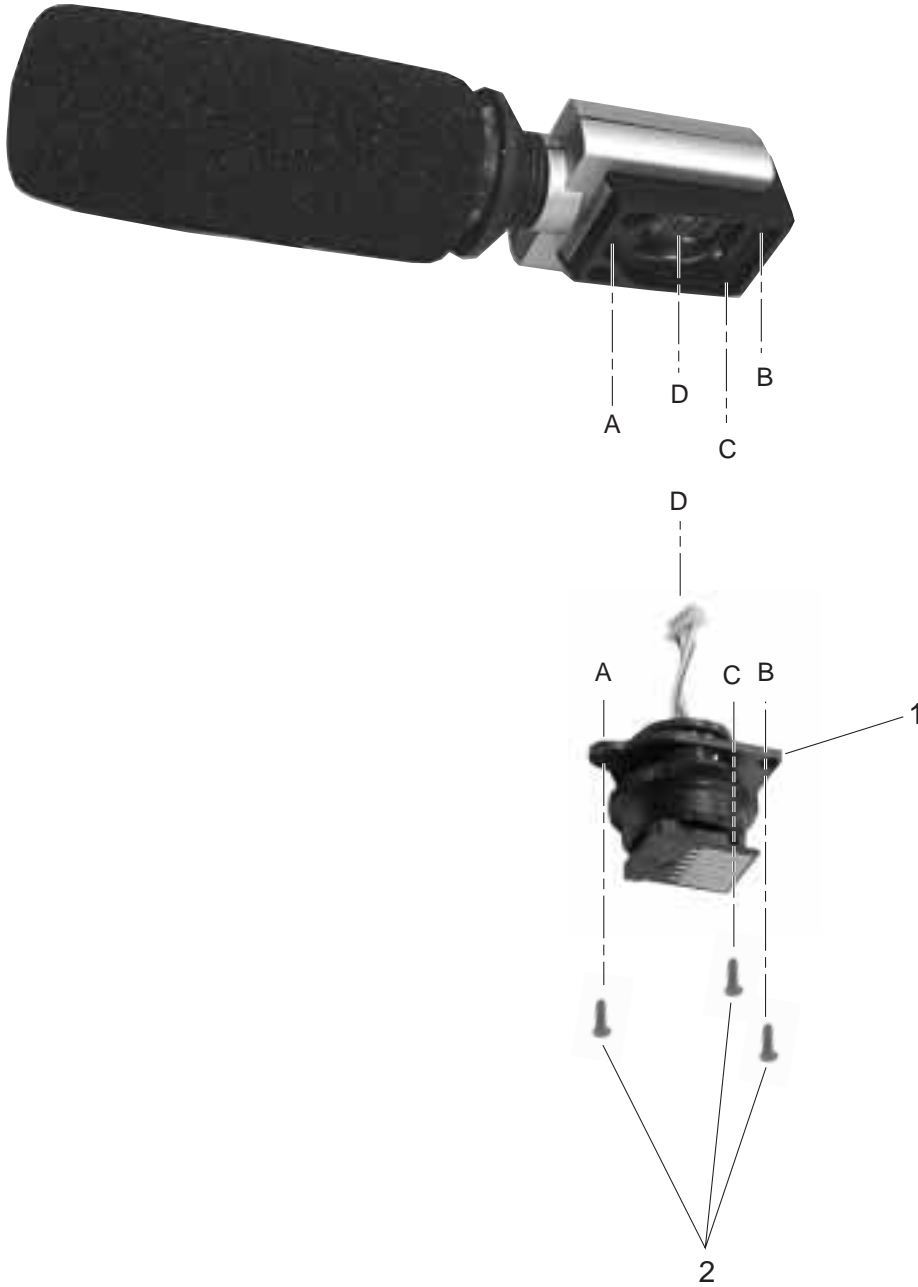
1 — SHEET(WITH INST.BACK SIDE)
2 — BLISTER CASE

Δ REF No. PART No. PART NAME, DESCRIPTION

Δ 3 — INST. BOOK(EN), VL-V3U/VL-V3U-E
 Δ — INST. BOOK(EN, FR, GE), VL-F3U/VL-F3U-E

2 FINAL ASSEMBLY <M2>

[MZ-V3U/MZ-V3U-E]

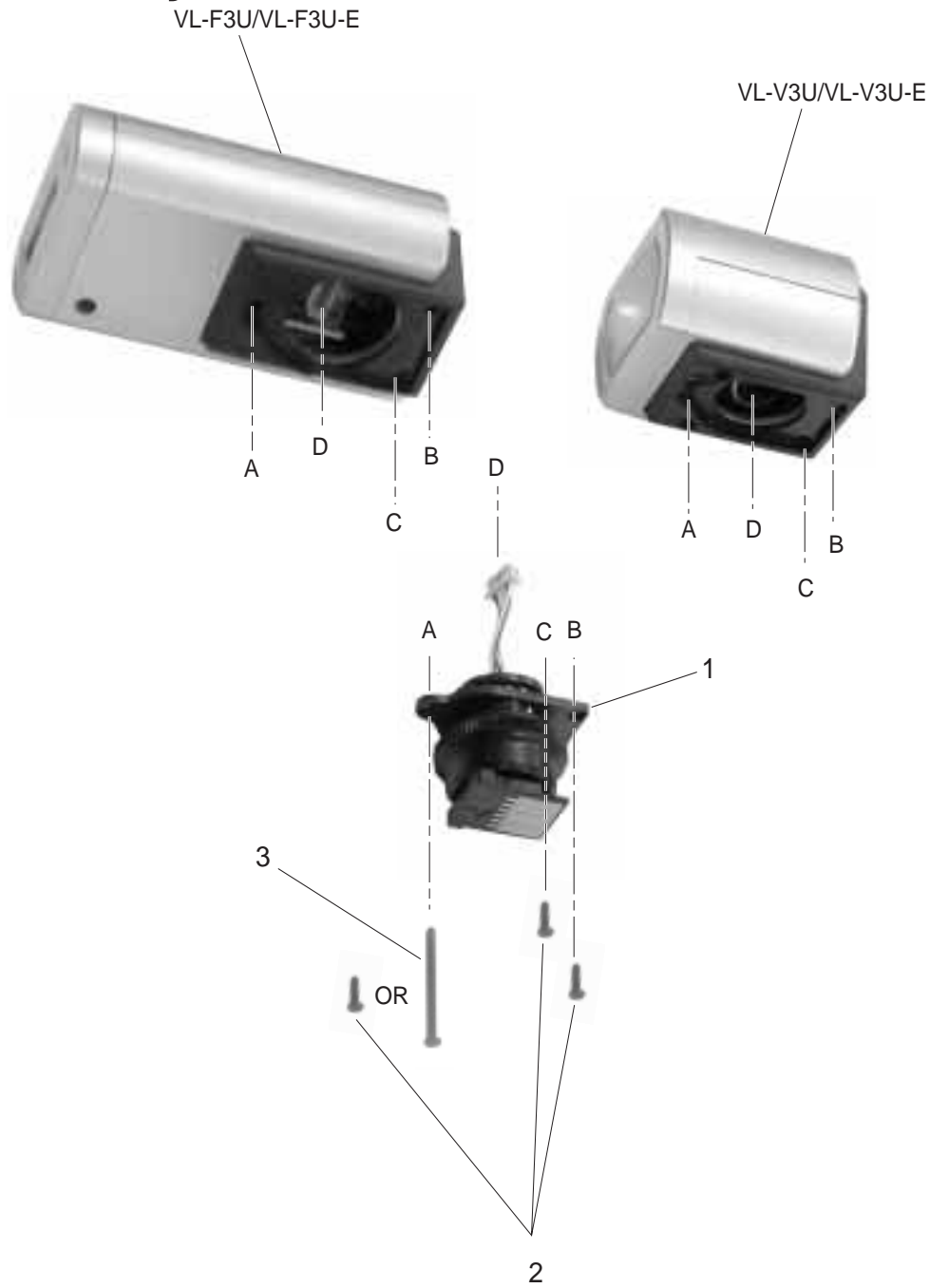


#	△ REF No.	PART No.	PART NAME, DESCRIPTION

FINAL ASSEMBLY <M2>			
1		LY32174-003A	SHOE ASSY (7PIN)

#	△ REF No.	PART No.	PART NAME, DESCRIPTION
2		—	SCREW X3

[VL-V3U/VL-V3U-E
VL-F3U/VL-F3U-E]



#	△ REF No.	PART No.	PART NAME, DESCRIPTION

FINAL ASSEMBLY <M2>			
1		LY32174-001A	SHOE ASSY,VL-V3U/VL-V3U-E (5PIN)
		LY32174-002A	SHOE ASSY,VL-F3U/VL-F3U-E (7PIN)

#	△ REF No.	PART No.	PART NAME, DESCRIPTION
2		—	SCREW(SHORT),VL-F3U/U-E X2,VL-V3U/U-E X3
3		—	SCREW(LONG),VL-F3U/U-E X1

JVC SERVICE & ENGINEERING COMPANY OF AMERICA DIVISION OF JVC AMERICAS CORP.

Head office	: 1700 Valley Road Wayne, New Jersey 07470-9976	(973)315-5000
East Coast	: 10 New Maple Avenue Pine Brook, New Jersey 07058-9641	(973)396-1000
Midwest	: 705 Enterprise Street Aurora, Illinois 60504-8149	(630)851-7855
West Coast	: 5665 Corporate Avenue Cypress, California 90630-0024	(714)229-8011
Atlanta	: 1500 Lakes Parkway Lawrenceville, Georgia 30043-5857	(770)339-2582
Hawaii	: 2969 Mapunapuna Place Honolulu, Hawaii 96819-2040	(808)833-5828

JVC CANADA INC.

Head office	: 21 Finchdene Square Scarborough, Ontario M1X 1A7	(416)293-1311
Montreal	: 16800 Rte Trans-Canadienne, Kirkland, Quebec H9H 5G7	(514)871-1311
Vancouver	: 13040 Worster Court Richmond, B.C. V6V 2B3	(604)270-1311

JVC

S40895-03